

Tower Light Mounting brackets




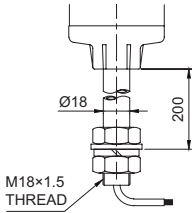
User can select from a variety of Mounting brackets options depending on their application conditions.


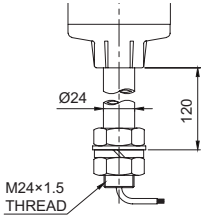
Units: mm

- **18mm SCREW & NUT (Standard Type)**
- **24mm SCREW & NUT (Standard Type)**

Standard type pole mount installation. There is a screw at the end of the pole and it is equipped with nut for installation.

Material: Steel


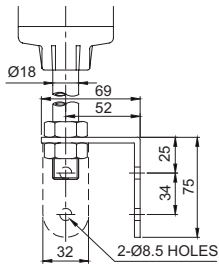
Product Image	Technical Diagram for Applicable Models
 <p>18mm SCREW & NUT (Standard Type)</p>	 <p>ST45 / ST56 Series, STG40 / STG50 Series, STC45 / STC56 Series, QTG50 / QTG60 Series, QTC50 / QTC60 Series, QTR50 / QTR60 Series, QT50 Series, QTG60-WIZ Series, MTG50 / MTG60 Series, MTC50 / MTC60 Series, MTR50 / MTR60 Series, EST56 Series, ST45 / ST56-ETN Series, QTG50 / QTG60-ETN Series, QTC50 / QTC60-ETN Series, QTR50 / QTR60-ETN Series, ST45 / ST56-USB Series, QTG50 / QTG60-USB Series, QTC50 / QTC60-USB Series, QTR50 / QTR60-USB Series</p>


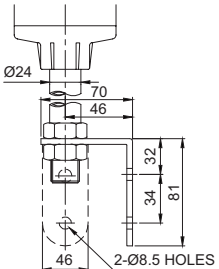
 <p>24mm SCREW & NUT (Standard Type)</p>	 <p>ST80 Series, STC80 Series, QTG70 Series, QTC70 Series, QTR70 Series, QT70 Series, QTG70-WIZ Series, MTG70 Series, MTC70 Series, MTR70 Series, QAT80 Series, ST80-ETN Series, QTG70-ETN Series, QTC70-ETN Series, QTR70-ETN Series, ST80-USB Series, QTG70-USB Series, QTC70-USB Series, QTR70-USB Series</p>
--	--

- **LB18 | LB24**

L-type bracket is attached to the pole mount tower light for installation to the side of the equipment.

Material: Steel

Product Image	Technical Diagram for Applicable Models
 <p>LB18</p>	 <p>ST45 / ST56 Series, STG40 / STG50 Series, STC45 / STC56 Series, QTG50 / QTG60 Series, QTC50 / QTC60 Series, QTR50 / QTR60 Series, QT50 Series, QTG60-WIZ Series, MTG50 / MTG60 Series, MTC50 / MTC60 Series, MTR50 / MTR60 Series, EST56 Series, ST45 / ST56-ETN Series, QTG50 / QTG60-ETN Series, QTC50 / QTC60-ETN Series, QTR50 / QTR60-ETN Series, ST45 / ST56-USB Series, QTG50 / QTG60-USB Series, QTC50 / QTC60-USB Series, QTR50 / QTR60-USB Series</p>

 <p>LB24</p>	 <p>ST80 Series, STC80 Series, QTG70 Series, QTC70 Series, QTR70 Series, QT70 Series, QTG70-WIZ Series, MTG70 Series, MTC70 Series, MTR70 Series, QAT80 Series, ST80-ETN Series, QTG70-ETN Series, QTC70-ETN Series, QTR70-ETN Series, ST80-USB Series, QTG70-USB Series, QTC70-USB Series, QTR70-USB Series</p>
---	---


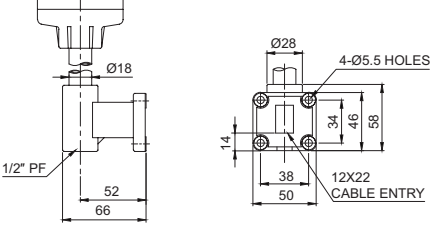
Tower Light Mounting brackets


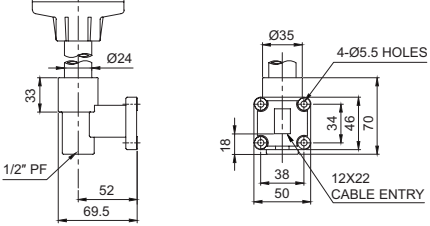
Units: mm

• LW18 | LW24

High-end L-type bracket is attached to the pole mount tower light for side of equipment installations. Wires can be threaded through the side of the bracket or come out at the bottom. The threads inside the bottom of the bracket can enable use of cable connectors.

Material: ABS
Color: Ivory


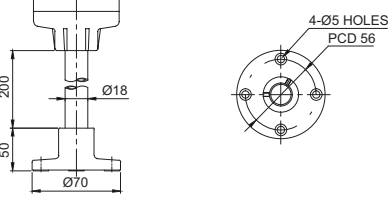
Product Image	Technical Diagram for Applicable Models
 <p>LW18</p>	 <p>ST45 / ST56 Series, STG40 / STG50 Series, STC45 / STC56 Series, QTG50 / QTG60 Series, QTC50 / QTC60 Series, QTR50 / QTR60 Series, QT50 Series, QTG60-WIZ Series, MTG50 / MTG60 Series, MTC50 / MTC60 Series, MTR50 / MTR60 Series, EST56 Series, ST45 / ST56-ETN Series, QTG50 / QTG60-ETN Series, QTC50 / QTC60-ETN Series, QTR50 / QTR60-ETN Series, ST45 / ST56-USB Series, QTG50 / QTG60-USB Series, QTC50 / QTC60-USB Series, QTR50 / QTR60-USB Series</p>


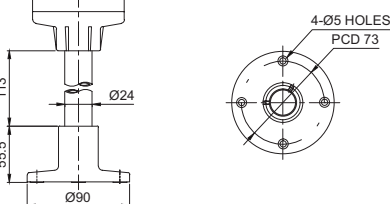
 <p>LW24</p>	 <p>ST80 Series, STC80 Series, QTG70 Series, QTC70 Series, QTR70 Series, QT70 Series, QTG70-WIZ Series, MTG70 Series, MTC70 Series, MTR70 Series, QAT80 Series, ST80-ETN Series, QTG70-ETN Series, QTC70-ETN Series, QTR70-ETN Series, ST80-USB Series, QTG70-USB Series, QTC70-USB Series, QTR70-USB Series</p>
--	---

• SZ18 | SZ24

Round-shaped bracket for horizontal surface installation.

Material: Al
Color: Silver

Product Image	Technical Diagram for Applicable Models
 <p>SZ18</p>	 <p>ST45 / ST56 Series, STG40 / STG50 Series, STC45 / STC56 Series, QTG50 / QTG60 Series, QTC50 / QTC60 Series, QTR50 / QTR60 Series, QT50 Series, QTG60-WIZ Series, MTG50 / MTG60 Series, MTC50 / MTC60 Series, MTR50 / MTR60 Series, EST56 Series, ST45 / ST56-ETN Series, QTG50 / QTG60-ETN Series, QTC50 / QTC60-ETN Series, QTR50 / QTR60-ETN Series, ST45 / ST56-USB Series, QTG50 / QTG60-USB Series, QTC50 / QTC60-USB Series, QTR50 / QTR60-USB Series</p>

 <p>SZ24</p>	 <p>ST80 Series, STC80 Series, QTG70 Series, QTC70 Series, QTR70 Series, QT70 Series, QTG70-WIZ Series, MTG70 Series, MTC70 Series, MTR70 Series, QAT80 Series, ST80-ETN Series, QTG70-ETN Series, QTC70-ETN Series, QTR70-ETN Series, ST80-USB Series, QTG70-USB Series, QTC70-USB Series, QTR70-USB Series</p>
---	--


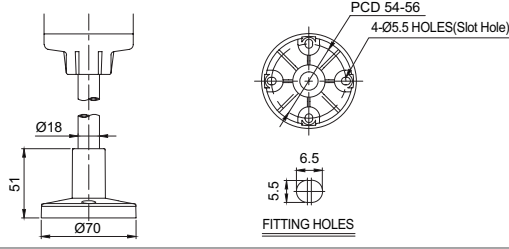
Tower Light Mounting brackets


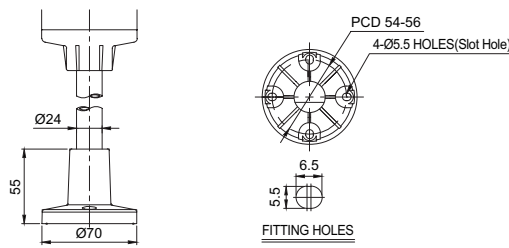
Units: mm

• QZ18 | QZ24

Round-shaped bracket for horizontal surface installation.

Material: ABS
Color: Black


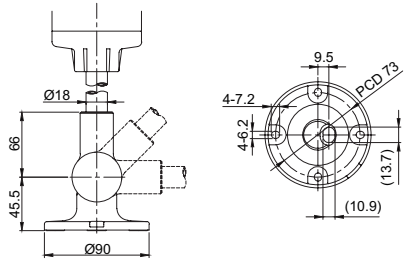
Product Image	Technical Diagram for Applicable Models
 <p>QZ18</p>	 <p>ST45 / ST56 Series, STG40 / STG50 Series, STC45 / STC56 Series, QTG50 / QTG60 Series, QTC50 / QTC60 Series, QTR50 / QTR60 Series, QT50 Series, QTG60-WIZ Series, MTG50 / MTG60 Series, MTC50 / MTC60 Series, MTR50 / MTR60 Series, EST56 Series, ST45 / ST56-ETN Series, QTG50 / QTG60-ETN Series, QTC50 / QTC60-ETN Series, QTR50 / QTR60-ETN Series, ST45 / ST56-USB Series, QTG50 / QTG60-USB Series, QTC50 / QTC60-USB Series, QTR50 / QTR60-USB Series</p>


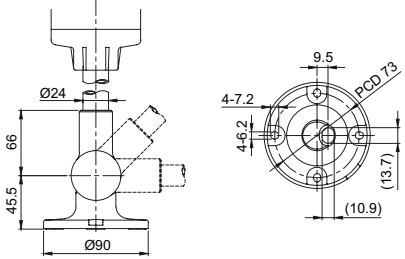
 <p>QZ24</p>	 <p>ST80 Series, STC80 Series, QTG70 Series, QTC70 Series, QTR70 Series, QT70 Series, QTG70-WIZ Series, MTG70 Series, MTC70 Series, MTR70 Series, QAT80 Series, ST80-ETN Series, QTG70-ETN Series, QTC70-ETN Series, QTR70-ETN Series, ST80-USB Series, QTG70-USB Series, QTC70-USB Series, QTR70-USB Series</p>
--	---

• SL18 | SL24

A angle adjustable bracket (15 degree intervals for a range of 0-180 degrees) enables easy vertical, horizontal, and slanted installation.

Material: Al
Color: Silver

Product Image	Technical Diagram for Applicable Models
 <p>SL18</p>	 <p>ST45 / ST56 Series, STG40 / STG50 Series, STC45 / STC56 Series, QTG50 / QTG60 Series, QTC50 / QTC60 Series, QTR50 / QTR60 Series, QT50 Series, QTG60-WIZ Series, MTG50 / MTG60 Series, MTC50 / MTC60 Series, MTR50 / MTR60 Series, EST56 Series, ST45 / ST56-ETN Series, QTG50 / QTG60-ETN Series, QTC50 / QTC60-ETN Series, QTR50 / QTR60-ETN Series, ST45 / ST56-USB Series, QTG50 / QTG60-USB Series, QTC50 / QTC60-USB Series, QTR50 / QTR60-USB Series</p>

 <p>SL24</p>	 <p>ST80 Series, STC80 Series, QTG70 Series, QTC70 Series, QTR70 Series, QT70 Series, QTG70-WIZ Series, MTG70 Series, MTC70 Series, MTR70 Series, QAT80 Series, ST80-ETN Series, QTG70-ETN Series, QTC70-ETN Series, QTR70-ETN Series, ST80-USB Series, QTG70-USB Series, QTC70-USB Series, QTR70-USB Series</p>
---	--


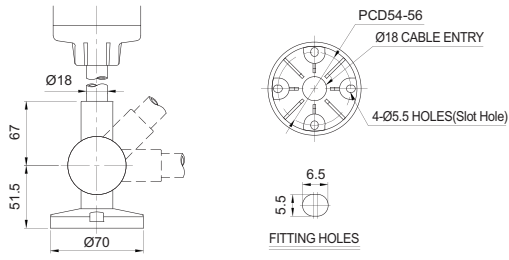
Tower Light Mounting brackets


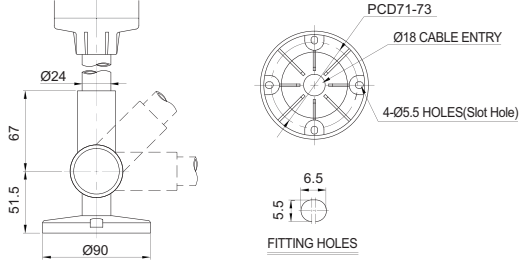
Units: mm

• QL18 | QL24

A angle adjustable bracket (5 degree intervals for a range of 0-180 degrees) enables easy vertical, horizontal, and slanted installation.

Material: ABS
Color: Black


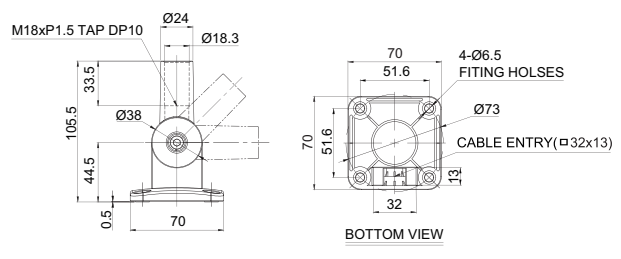
Product Image	Technical Diagram for Applicable Models
 <p>QL18</p>	 <p>ST45 / ST56 Series, STG40 / STG50 Series, STC45 / STC56 Series, QTG50 / QTG60 Series, QTC50 / QTC60 Series, QTR50 / QTR60 Series, QT50 Series, QTG60-WIZ Series, MTG50 / MTG60 Series, MTC50 / MTC60 Series, MTR50 / MTR60 Series, EST56 Series, ST45 / ST56-ETN Series, QTG50 / QTG60-ETN Series, QTC50 / QTC60-ETN Series, QTR50 / QTR60-ETN Series, ST45 / ST56-USB Series, QTG50 / QTG60-USB Series, QTC50 / QTC60-USB Series, QTR50 / QTR60-USB Series</p>


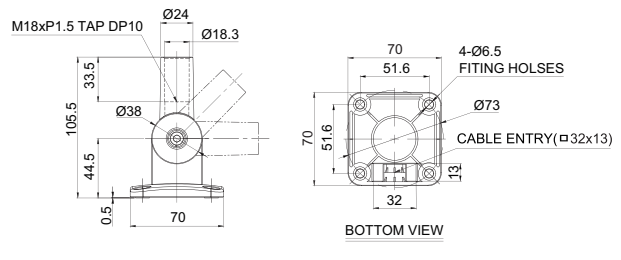
 <p>QL24</p>	 <p>ST80 Series, STC80 Series, QTG70 Series, QTC70 Series, QTR70 Series, QT70 Series, QTG70-WIZ Series, MTG70 Series, MTC70 Series, MTR70 Series, QAT80 Series, ST80-ETN Series, QTG70-ETN Series, QTC70-ETN Series, QTR70-ETN Series, ST80-USB Series, QTG70-USB Series, QTC70-USB Series, QTR70-USB Series</p>
--	---

• FB18

A angle adjustable bracket (5 degree intervals for a range of 0-180 degrees) enables easy vertical, horizontal, and slanted installation.

Material: ABS
Color: Black, Ivory

Product Image	Technical Diagram for Applicable Models
 <p>FB18 (Black)</p>	 <p>EST56L</p>

 <p>FB18 (Ivory)</p>	 <p>EST56L</p>
---	--

Tower Light Mounting brackets

Units: mm

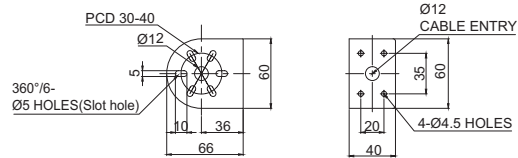
• TWS45 | TWS80

Bracket options for direct mount warning/signal light installation.
Material: Steel
Color: Silver, Ivory

Product Image	Technical Diagram for Applicable Models
---------------	---



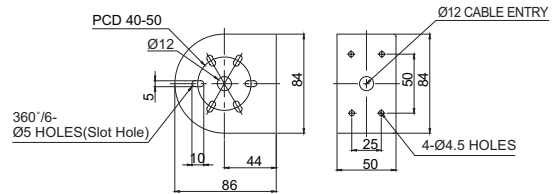
TWS45



ST45 / ST56M Series, STG40 / STG50M Series, STC45 / STC56M Series, QTG50 / QTG60M Series, QTC50M / QTC60M Series, QTR50 / QTR60M Series, QT50M Series, QTG60M-WIZ Series, MTG50 / MTG60M Series, MTC50 / MTC60M Series, MTR50 / MTR60M Series, QTG50 / QTG60M-USB Series, QTC50 / QTC60M-USB Series, QTR50 / QTR60M-USB Series, QTG50 / QTG60M-ETN Series, QTC50 / QTC60M-ETN Series, QTR50 / QTR60M-ETN Series



TWS80



ST80M Series, STC80 Series, QTG70M Series, QTC70M Series, QTR70M Series, MTG70M Series, MTC70M Series, MTR70M Series, QT70M Series, QTG70M-USB Series, QTC70M-USB Series, QTR70M-USB Series, QTG70M-ETN Series, QTC70M-ETN Series, QTR70M-ETN Series, QTG70M-WIZ Series

• TWA45 | TWA80

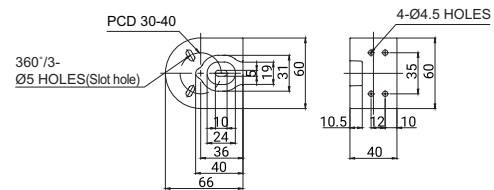
Bracket options for direct mount warning/signal light installation.
Bracket structure allows for contained and tidy wiring with no exposed wires.

Material: PC
Color: Black, Ivory

Product Image	Technical Diagram for Applicable Models
---------------	---



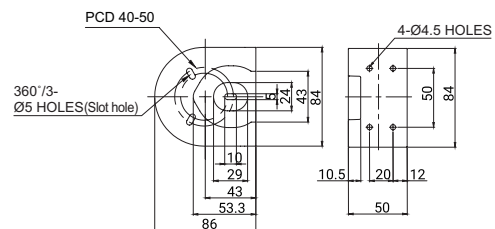
TWA45



ST45 / ST56M Series, STG40 / STG50M Series, STC45 / STC56M Series, QTG50 / QTG60M Series, QTC50M / QTC60M Series, QTR50 / QTR60M Series, QT50M Series, QTG60M-WIZ Series, MTG50 / MTG60M Series, MTC50 / MTC60M Series, MTR50 / MTR60M Series, QTG50 / QTG60M-USB Series, QTC50 / QTC60M-USB Series, QTR50 / QTR60M-USB Series, QTG50 / QTG60M-ETN Series, QTC50 / QTC60M-ETN Series, QTR50 / QTR60M-ETN Series



TWA80



ST80M Series, STC80 Series, QTG70M Series, QTC70M Series, QTR70M Series, MTG70M Series, MTC70M Series, MTR70M Series, QT70M Series, QTG70M-USB Series, QTC70M-USB Series, QTR70M-USB Series, QTG70M-ETN Series, QTC70M-ETN Series, QTR70M-ETN Series, QTG70M-WIZ Series


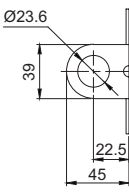
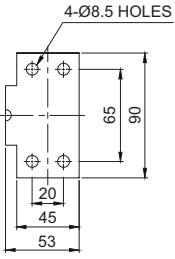

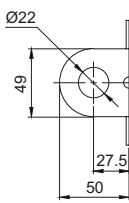
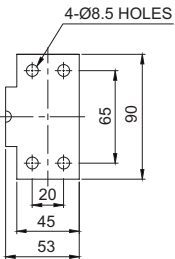
Tower Light Mounting brackets

Units: mm

• STAWB25 | STAWB45

Bracket options for direct mount warning/signal light installation.

Material: Steel
Color: Silver, Ivory

Product Image	Technical Diagram for Applicable Models	
		
STAWB25	STA25SLM, STA35SL, STA35SLM	
		
STAWB45	STA45SLM	